

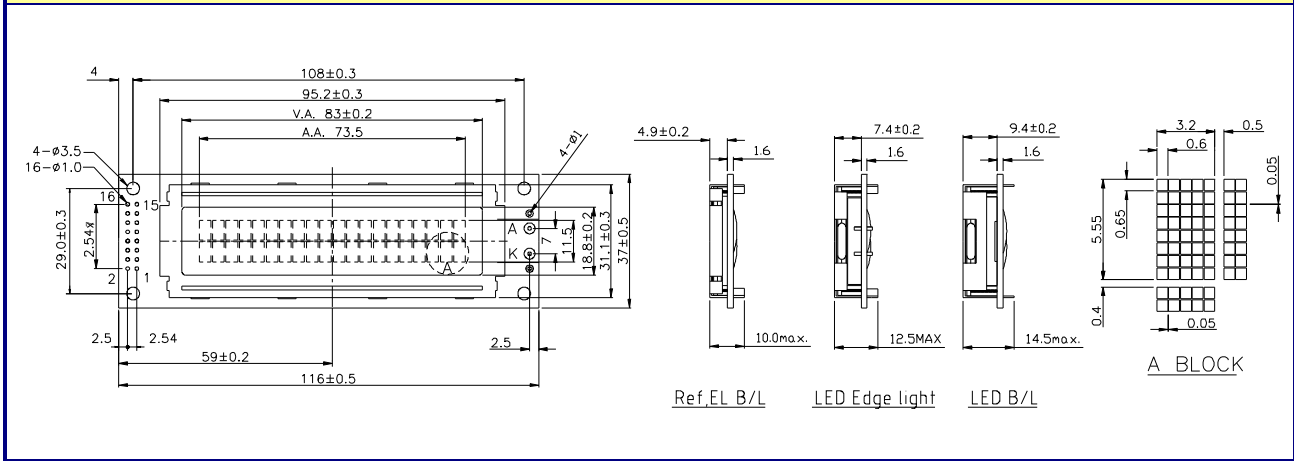
# WGS-C20201

## 20 characters x 2 lines

### ■ Mechanical Data

Item	Standard Value	Unit
<b>Module Dimensions</b>	<b>116.0(W) X 37.0(H) X 10.0 (T)</b>	<b>mm</b>
<b>Viewing Area</b>	<b>83.0(W) X 18.8(H)</b>	<b>mm</b>
<b>Dot Size</b>	<b>0.60(W) X 0.65(H)</b>	<b>mm</b>
<b>Dot Pitch</b>	<b>0.65(W) X 0.70(H)</b>	<b>mm</b>

### ■ External Dimensions



### ■ Pin Assignment

No.	Symbol	Function	No.	Symbol	Function
1	V <sub>SS</sub>	GND,0V	9	DB2	Data Bus Line
2	V <sub>DD</sub>	Logic Power Supply(+5V)	10	DB3	Data Bus Line
3	V <sub>EE</sub>	For LCD Drive	11	DB4	Data Bus Line
4	RS	Data/Instruction select	12	DB5	Data Bus Line
5	R/W	Read/Write	13	DB6	Data Bus Line
6	E	Enable signal	14	DB7	Data Bus Line
7	DB0	Data Bus Line	15	LED A	LED power supply(+)
8	DB1	Data Bus Line	16	LED K	LED power supply(-)

### ■ Block Diagram

